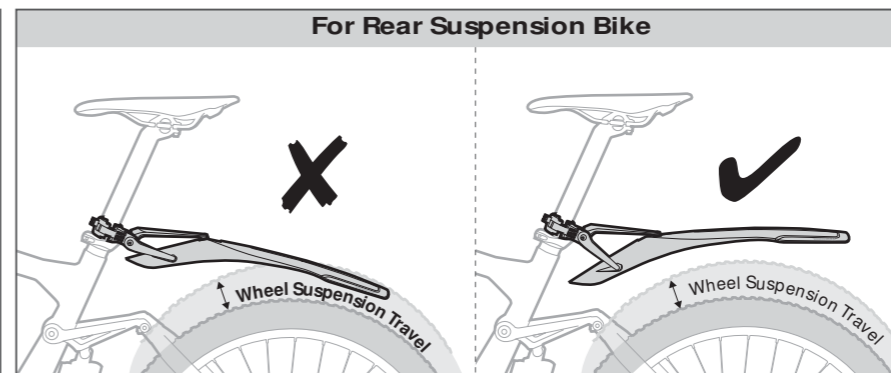
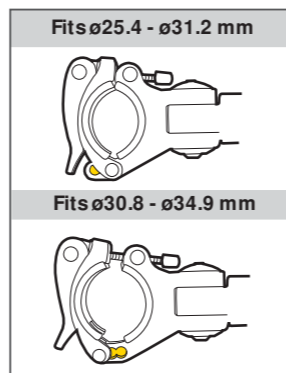
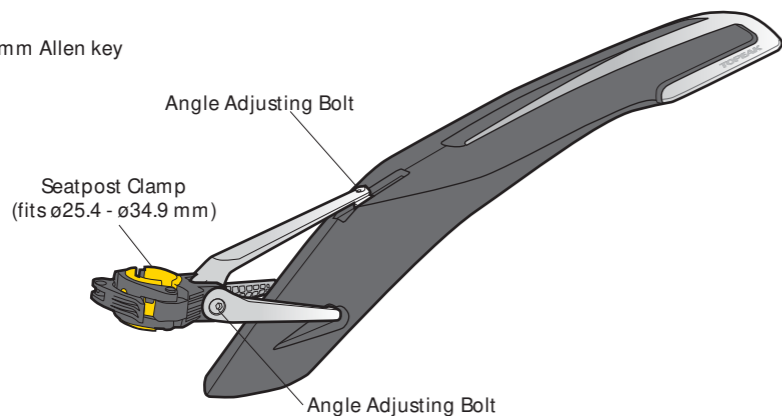


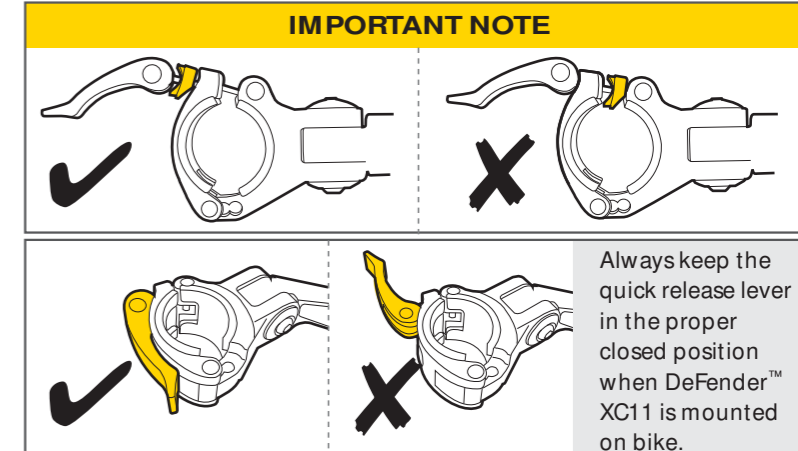
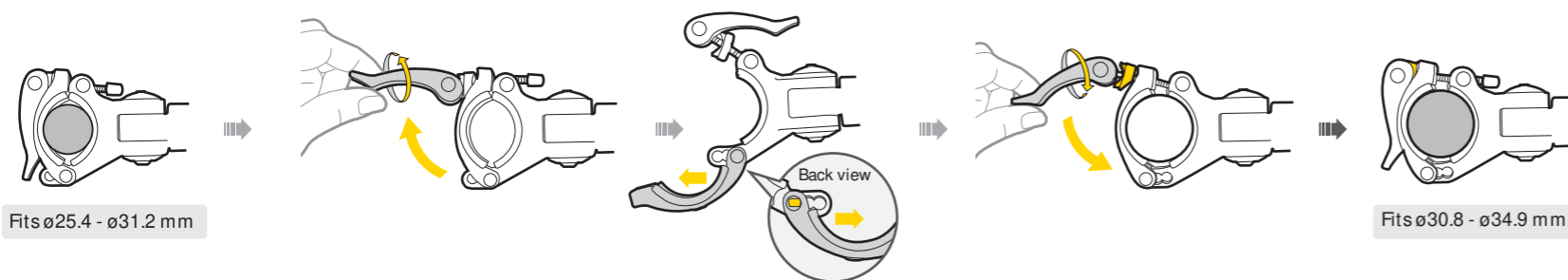
Tool required: 3mm Allen key



WARNING

When adjusting the angle of DeFender™XC11, make sure the clearance between DeFender™XC11 and the tire is larger than wheel suspension travel of the bike. Incorrect clearance may cause damage to DeFender™XC11, your bike, or potentially cause bodily harm.

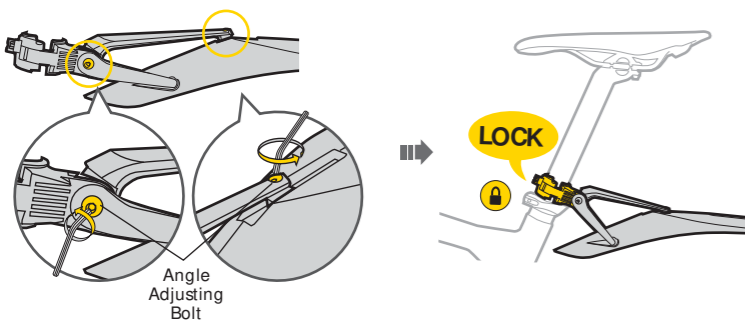
SLIP JOINT CLAMP FITS $\varnothing 25.4 - \varnothing 31.2$ mm and $\varnothing 30.8 - \varnothing 34.9$ mm



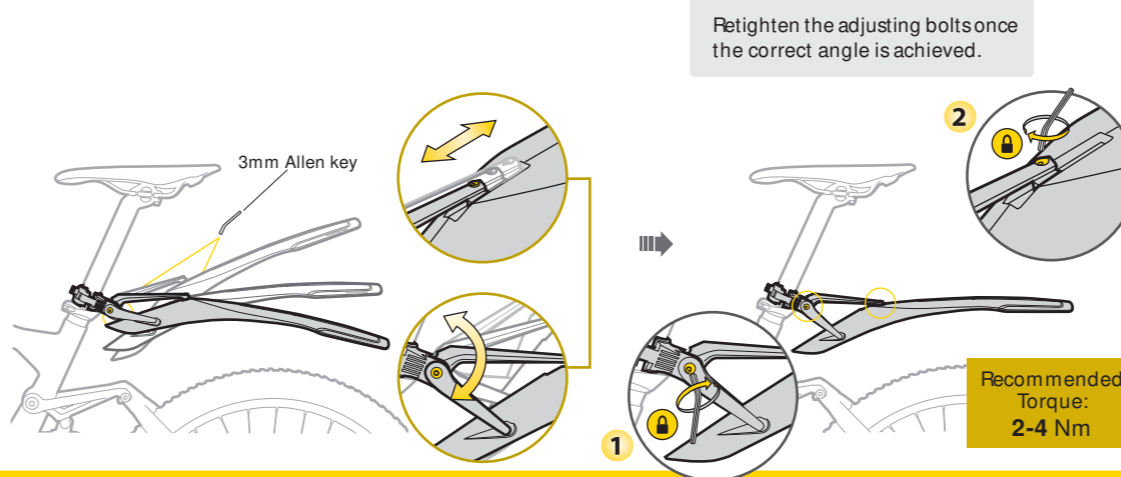
INSTALLATION & ANGLE ADJUSTMENT

INSTALLATION

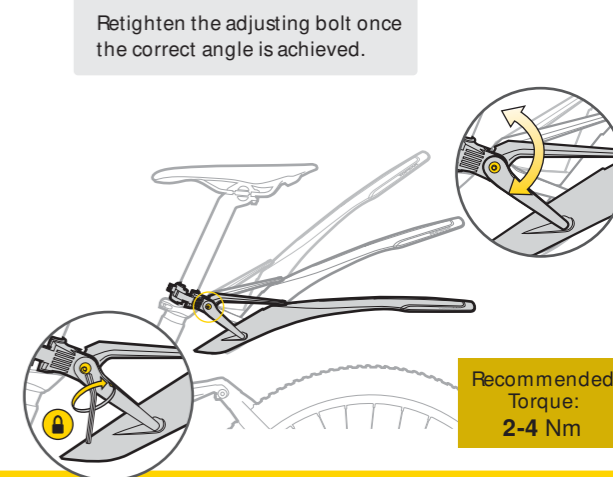
NOTES :
Loosen angle adjusting bolts first for installation and angle adjustment. Do not loosen them more than 4 counterclockwise rotations or the adjusting bolt assembly will be disassembled and may be damaged.



A. DUAL PIVOTS ANGLE ADJUSTMENT



B. ONE PIVOT ANGLE ADJUSTMENT



WARRANTY

2-year Warranty: All mechanical components against manufacturer defects only.

Warranty Claim Requirements

To obtain warranty service, you must have your original sales receipt. Items returned without a sales receipt will assume that the warranty begins on the date of manufacture. All warranties will be void if the product is damaged due to user crash, abuse, system alteration, modification, or used in any way not intended as described in this operating manual.

* The specifications and design are subject to change without notice.

Please contact your Topeak dealer with any questions.
For USA customer service call : 1-800-250-3068
www.topeak.com